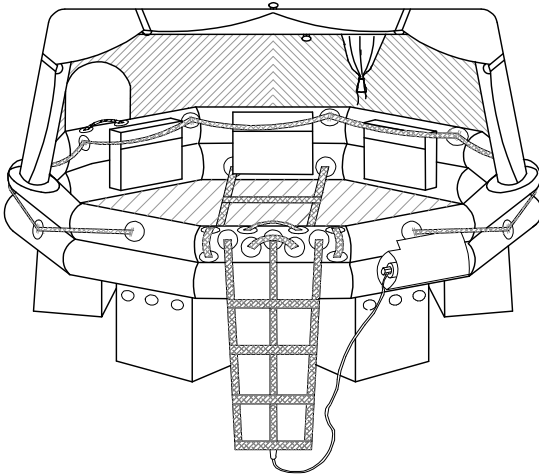


Ultra-Light™ FA-AV (SA) Type One

FAA TSO - C70a, CAA BCAR-B4-8 & DGAC QACI-144 Approved
 Hard Pack Configurations

STANDARD EQUIPMENT Includes:

- CO₂/N₂ Inflation System w/ Twin Oversized Buoyancy Tubes
- Three (3) Position (Closed, Sail & Convertible) Light Weight Canopy
- Sure-Seal™ Closures w/ #10 YKK Heavy Duty Zippering
- Dual Main Zipper w/ Ventilation Tie Backs
- Single Arch, Auto Inflatable, Canopy Support System w/ Stay Erect Arch Support Valve System
- Oversized Front Boarding Entry w/ 4 Rung Boarding Ladder
- Interior Assist Ladder w/ Quick-Release Fittings
- Rear Boarding Door w/ 3 Rung Boarding Ladder
- Four (4) Bowed Boarding Assist Handles
- Combination Foul Weather Observation Port Hole & Water Collection System w/ Sure-Seal™ Closures
- Single Floor w/ Thermal Protective Space Blankets- One (1) for every Two Persons
- Water Activated Interior/Exterior Survivor Locator Lights
- Quick-Grab™ Flashlight on Arch
- Auto-Deploying Hemispherical Drogue (Sea-Anchor) w/ 25' Line & Dual Anti-Foul Swivels
- 75' Floating Heaving Trailing Line w/ Buoyant Throwing Handle
- 35' Painter Line w/ Quick-Release Fittings
- Heavy Duty EZGrip™ Righting Line w/ Contrasting Bowed Hand Grips
- Unidirectional Retro/Radar Reflective Segment across Arch
- Unidirectional Retro Reflective Segments under Life Raft & on Canopy
- Pentagonal Ballast System™
- 1" Exterior Lifelines & Interior Grasp Lines
- Three (3) StoreSafe™ Light Weight Dry Survival Gear Storage Pockets
- Pressure Relief Valves
- Topping-Up Valves
- UltimaWrap™ Vacuum Seal (3 yr. protection)
- Hard Pack Canister



NOT TO SCALE

Part 91 & 121 SEP Kit Includes:

- ① Manual Inflation Pump – Spring Loaded Return w/ Adapter
- ① Raft Knife
- ① Repair Kit (Includes: Repair Tape, Repair Clamp (3") & 2 PRV Plugs w/ Tether)
- ① Collapsible Bailer Bucket w/ Handle
- ② Sponges
- ① Signal Mirror
- ① USCG/SOLAS Whistle
- ② Spare Alkaline Batteries & Spare Super MityLite™ Xenon Bulb Assembly
- ③ USCG Aerial Meteor Flares
- ① USCG Hand Held Locator Flare
- Food Ration Bars (250 Cal./Person)
- ① Utility Knife (SS Lockback)
- ① Retaining Line (75')
- ① Survival Manual
- ① PUR Survivor "06" Watermaker

Part 135 SEP Kit Includes 91/121 Plus:

- ① Fishing Kit
- Food Ration Bars (1750 Cal./Person)
- ① Sea-Dye Marker
- ① Magnetic Compass
- ② Paddles w/ Retro Reflective Segments

JAR-OPS1 SEP Kit Includes 91/121 Plus:

- ⑤ Additional USCG Aerial Meteor Flares
- ① Additional USCG Hand Held Locator Flare
- 6 Mil Poly Bags (1/Person)
- Food Ration Bars (2000 Cal./Total)
- ① First Aid Kit [Sun block (30SPF), Magnifier, Thermal Blanket, 4" Bandage Compress (4), Sterile Triangular Bandage (2), 2" Bandage Compress (12), Nitrile Gloves (1 pair), Antiseptic Towelettes (10), First Aid/Burn Cream Packets (12), 1" X 3" Adhesive Strips (16), Adhesive Tape, First Aid Guide]

JAR-OPS1/135 SEP Kit Includes 91/121 & JAR-OPS1 Plus:

- ① Fishing Kit
- Food Ration Bars (1750 Cal./Person)
- ① Sea-Dye Marker
- ① Magnetic Compass
- ② Paddles w/ Retro Reflective Segments

Options:

- Triple Frequency Survival (S) Type ELT, (121.5/243.0/406MHz) - 1.7 lbs. FAA TSO C126 - \$2,850.00
- I2DF™ Inflatable Insulated Double Floor \$500.00 Additional

Ultra-Light™ FA-AV (SA) Hard Pack

Winslow Model	SEP Requirements	Dimension H X D X W	Total Weight	WINSLOW Part Number	Your Investment
46FASA Capacity 4 Ovld. Capacity 6	FAR PART 91 & 121	8 ½" X 18" X 32"	40 lb.	46FASA-*191-1-301	
	FAR PART 135	8 ½" X 18" X 32"	43 lb.	46FASA-*131-1-301	
	JAR-OPS1	8 ½" X 18" X 32"	43 lb.	46FASA-*1J1-1-301	
	JAR-OPS1/135	8 ½" X 18" X 32"	45 lb.	46FASA-*1K1-1-301	
57FASA Capacity 5 Ovld. Capacity 7	FAR PART 91 & 121	8 ½" X 18" X 32"	43 lb.	57FASA-*191-1-301	
	FAR PART 135	8 ½" X 18" X 32"	45 lb.	57FASA-*131-1-301	
	JAR-OPS1	8 ½" X 18" X 32"	45 lb.	57FASA-*1J1-1-301	
	JAR-OPS1/135	8 ½" X 18" X 32"	47 lb.	57FASA-*1K1-1-301	
69FASA Capacity 6 Ovld. Capacity 9	FAR PART 91 & 121	8 ½" X 18" X 32"	46 lb.	69FASA-*191-1-301	
	FAR PART 135	8 ½" X 18" X 32"	48 lb.	69FASA-*131-1-301	
	JAR-OPS1	8 ½" X 18" X 32"	48 lb.	69FASA-*1J1-1-301	
	JAR-OPS1/135	8 ½" X 18" X 32"	50 lb.	69FASA-*1K1-1-301	
710FASA Capacity 7 Ovld. Capacity 10	FAR PART 91 & 121	8 ½" X 18" X 32"	49 lb.	710FASA-*191-1-301	
	FAR PART 135	8 ½" X 18" X 32"	51 lb.	710FASA-*131-1-301	
	JAR-OPS1	8 ½" X 18" X 32"	50 lb.	710FASA-*1J1-1-301	
	JAR-OPS1/135	8 ½" X 18" X 32"	53 lb.	710FASA-*1K1-1-301	
812FASA Capacity 8 Ovld. Capacity 12	FAR PART 91 & 121	8 ½" X 18" X 32"	52 lb.	812FASA-*191-1-301	
	FAR PART 135	8 ½" X 18" X 32"	55 lb.	812FASA-*131-1-301	
	JAR-OPS1	8 ½" X 18" X 32"	54 lb.	812FASA-*1J1-1-301	
	JAR-OPS1/135	8 ½" X 18" X 32"	57 lb.	812FASA-*1K1-1-301	
913FASA Capacity 9 Ovld. Capacity 13	FAR PART 91 & 121	8 ½" X 18" X 32"	55 lb.	913FASA-*191-1-301	
	FAR PART 135	8 ½" X 18" X 32"	58 lb.	913FASA-*131-1-301	
	JAR-OPS1	8 ½" X 18" X 32"	56 lb.	913FASA-*1J1-1-301	
	JAR-OPS1/135	8 ½" X 18" X 32"	60 lb.	913FASA-*1K1-1-301	
1015FASA Capacity 10 Ovld. Capacity 15	FAR PART 91 & 121	8 ½" X 18" X 32"	58 lb.	1015FASA-*191-1-301	
	FAR PART 135	8 ½" X 18" X 32"	62 lb.	1015FASA-*131-1-301	
	JAR-OPS1	8 ½" X 18" X 32"	60 lb.	1015FASA-*1J1-1-301	
	JAR-OPS1/135	8 ½" X 18" X 32"	64 lb.	1015FASA-*1K1-1-301	
1116FASA Capacity 11 Ovld. Capacity 16	FAR PART 91 & 121	8 ½" X 18" X 32"	60 lb.	1116FASA-*191-1-301	
	FAR PART 135	8 ½" X 18" X 32"	64 lb.	1116FASA-*131-1-301	
	JAR-OPS1	8 ½" X 18" X 32"	62 lb.	1116FASA-*1J1-1-301	
	JAR-OPS1/135	8 ½" X 18" X 32"	66 lb.	1116FASA-*1K1-1-301	
1218FASA Capacity 12 Ovld. Capacity 18	FAR PART 91 & 121	8 ½" X 18" X 32"	62 lb.	1218FASA-*191-1-301	
	FAR PART 135	8 ½" X 18" X 32"	67 lb.	1218FASA-*131-1-301	
	JAR-OPS1	8 ½" X 18" X 32"	64 lb.	1218FASA-*1J1-1-301	
	JAR-OPS1/135	8 ½" X 18" X 32"	69 lb.	1218FASA-*1K1-1-301	
1320FASA Capacity 13 Ovld. Capacity 20	FAR PART 91 & 121	8 ½" X 18" X 32"	65 lb.	1320FASA-*191-1-301	
	FAR PART 135	8 ½" X 18" X 32"	70 lb.	1320FASA-*131-1-301	
	JAR-OPS1	8 ½" X 18" X 32"	66 lb.	1320FASA-*1J1-1-301	
	JAR-OPS1/135	8 ½" X 18" X 32"	72 lb.	1320FASA-*1K1-1-301	
1421FASA Capacity 14 Ovld. Capacity 21	FAR PART 91 & 121	8 ½" X 18" X 32"	67 lb.	1421FASA-*191-1-301	
	FAR PART 135	8 ½" X 18" X 32"	72 lb.	1421FASA-*131-1-301	
	JAR-OPS1	8 ½" X 18" X 32"	68 lb.	1421FASA-*1J1-1-301	
	JAR-OPS1/135	8 ½" X 18" X 32"	74 lb.	1421FASA-*1K1-1-301	
1522FASA Capacity 15 Ovld. Capacity 22	FAR PART 91 & 121	8 ½" X 18" X 32"	69 lb.	1522FASA-*191-1-301	
	FAR PART 135	8 ½" X 18" X 32"	75 lb.	1522FASA-*131-1-301	
	JAR-OPS1	8 ½" X 18" X 32"	70 lb.	1522FASA-*1J1-1-301	
	JAR-OPS1/135	8 ½" X 18" X 32"	77 lb.	1522FASA-*1K1-1-301	

*SEP Kit configuration defines type of ELT and applicable regulation as shown below.

Example 1: -630 (Triple Frequency w/ FAR Part 135 compliant SEP Kit) Example 2: -3K0 (Triple Frequency w/ JAR-OPS1 and FAR Part 135 compliant SEP Kit)

•1=No ELT •2=Dual Frequency •3=Triple Frequency •4=Triple Frequency/GPS¹ •5=Triple Frequency/GPS¹ w/voice •6=Triple Frequency

¹Upon Availability

CAR Survival Equipment Packages are also available for WINSLOW Models 46FASA through 1522FASA by special request.