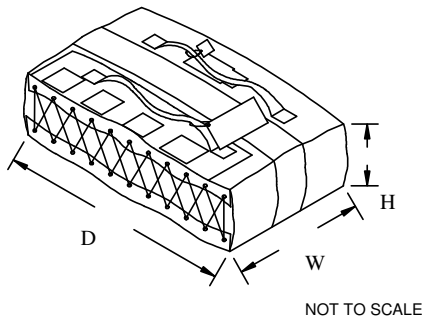
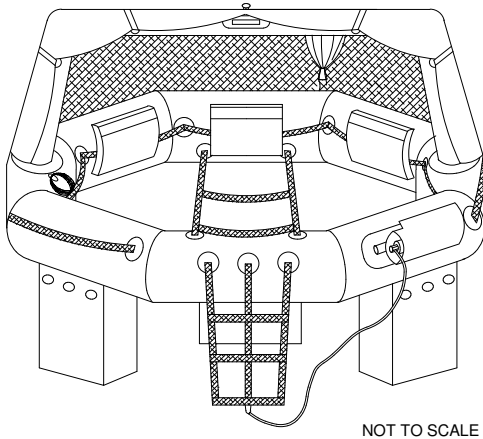


FA-ST™ Type Two Life Raft

FAA TSO – C70a Approved

STANDARD EQUIPMENT Includes:

- N₂ Inflation System w/Oversized Buoyancy Tube w/Twin Safety Air Chambers
- Three (3) Position (Closed, Sail & Convertible) Auto Inflatable, Light Weight Canopy
- Dual Main Zipper w/Ventilation Tie Backs
- Single Arch, Auto Inflatable Canopy Support System
- Oversized Front Boarding Entry w/3 Rung Boarding Ladder
- Interior Assist Ladder w/Quick-Release Fittings
- Combination Foul Weather Observation Port Hole & Water Collection System w/Sure-Seal™ Closures
- Water Activated Exterior Survivor Locator Light
- Quick-Grab™ Flashlight on Arch w/'AAA' Batteries on Arch
- Auto-Deploying Conical Drogue (Sea-Anchor) w/25' Line & Anti-Foul Swivels
- 75' Floating Heaving Trailing Line
- Heavy Duty EZGrip™ Righting Line w/Contrasting Bowed Hand Grips
- Six (6) Unidirectional Retro Reflective Segments on Canopy
- Unidirectional Retro/Radar Reflective Segment Across Arch
- Unidirectional Retro Reflective Segments Under Life Raft
- Composite Tri-Ballast System™
- 1" Exterior Lifelines & Interior Grasp Lines
- Pressure Relief Valves
- Topping-Up Valves
- UltimaWrap™ Vacuum Seal (3 yr. protection)
- Urethane Valise



Part 91 & 121 SEP Kit Includes:

- ❶ Manual Inflation Pump – Spring Loaded Return w/ Adapter
- ❶ Raft Knife
- ❶ Repair Kit (Includes: Repair Tape, Repair Clamp (3") & 2 PRV Plugs w/ Tether)
- ❶ Collapsible Bailer Bucket w/ Handle
- ❷ Sponges
- ❶ Signal Mirror
- ❶ Rescue Streamer™ High Visibility Ribbon (6" X 25')
- ❶ USCG/SOLAS Whistle
- ❶ Oral Inflation Tube
- ❶ Extended Life Flashlight (sealed case)
- ❷ Spare Alkaline Batteries & Spare Super Xenon Bulb Assembly
- ❸ USCG Aerial Meteor Flares
- ❶ USCG Hand Held Locator Flare
- Food Ration Bars (250 Cal./Person)
- Anti-Seasickness Tablets (6/Person)
- ❶ Utility Knife (SS Lockback)
- ❶ Retaining Line (75')
- ❶ Survival Manual
- ❶ Bible
- ❶ Survivor® "06" Watermaker

Part 135 SEP Kit Includes 91/121 Plus:

- ❶ Fishing Kit
- Food Ration Bars (1750 Cal./Person)
- ❶ Sea-Dye Marker
- ❶ Water Storage Bag
- ❶ Magnetic Compass
- ❷ Paddles w/ Retro Reflective Segments
- ❶ First Aid Kit: [First Aid/Burn Cream Packets (12), Antiseptic Towelettes (10), 1" X 3" Adhesive Strips (16), Nitrile Gloves (1 pair), Sterile Triangular Bandage, 4" Bandage Compress, First Aid Guide]

ELT Options:

- Dual Frequency Survival (S) Type ELT, (121.5/243.0Mhz) 0.8 lbs.
FAA TSO C91a Approved - \$850.00
- Triple Frequency Survival (S) Type ELT, (121.5/243.0/406Mhz) w/ full Speech Capability on 121.5/243Mhz - 1.3 lbs.
FAA TSO-C91a and C126 Approved - \$2,975.00

Please Note: ELT Requirements May Vary

Available Upgrades:

- I2DF™ Inflatable Insulated Double Floor
4 Person Life Raft - \$200.00
6 Person Life Raft - \$250.00
8 Person Life Raft - \$300.00
- Three (3) StoreSafe™ Lightweight Dry Survival Gear Storage Pockets - \$84.00
- Custom Dimensional Packing - \$392.00

FA-ST™ Type Two Life Raft

Winslow Model	SEP Requirements	Dimensions H X D X W	Total Weight	WINSLOW Part Number	Your Investment
46FA-ST Capacity 4 Ovld. Capacity 6	FAR PART 91 & 121	10" x 14" x 24"	39 lb.	46FAST-090-1-100	
	FAR PART 135	10" x 14" x 24"	44 lb.	46FAST-030-1-100	
69FA-ST Capacity 6 Ovld. Capacity 9	FAR PART 91 & 121	10" x 15" x 24"	43 lb.	69FAST-090-1-100	
	FAR PART 135	10" x 15" x 24"	49 lb.	69FAST-030-1-100	
812FA-ST Capacity 8 Ovld. Capacity 12	FAR PART 91 & 121	10.5" x 17" x 25"	47 lb.	812FAST-090-1-100	
	FAR PART 135	10.5" x 17" x 25"	55 lb.	812FAST-030-1-100	

WEIGHTS & RATES DO NOT INCLUDE Dual or Triple Frequency Survival (S) TYPE ELTS

SEP Kit configuration defines type of ELT and applicable regulation as shown below.

Example 1: -230 (Dual Frequency w/ FAR Part 135 compliant SEP Kit) **Example 2:** -3K0 (Triple Frequency w/ JAR-OPS1 and FAR Part 135 compliant SEP Kit)
 •1=No ELT •2=Dual Frequency •3=Triple Frequency •4=Triple Frequency/GPS¹ •5=Triple Frequency/GPS¹ w/voice

¹Upon Availability

